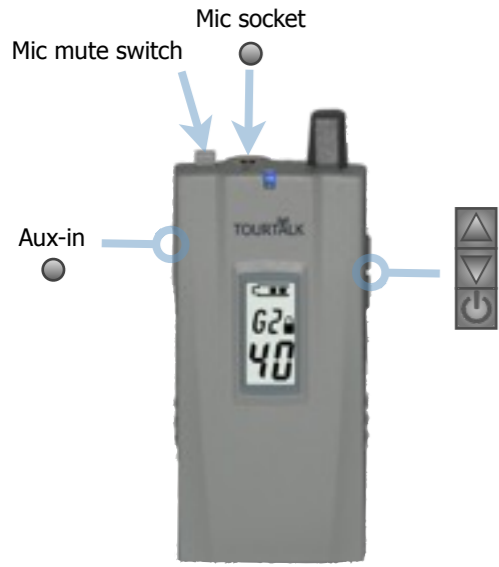


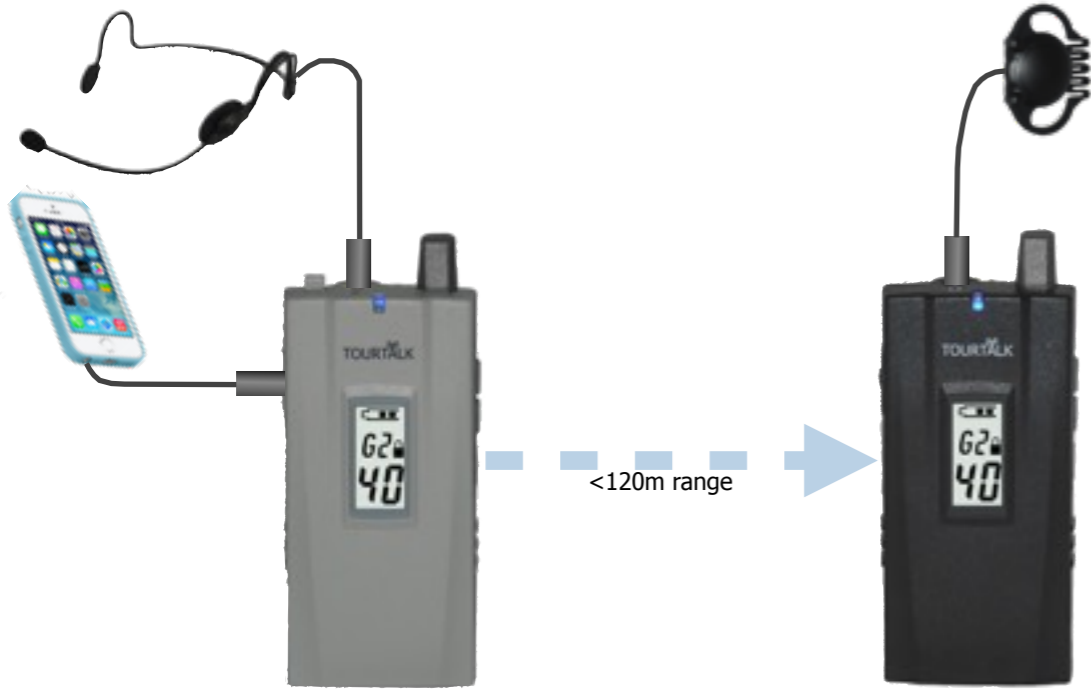
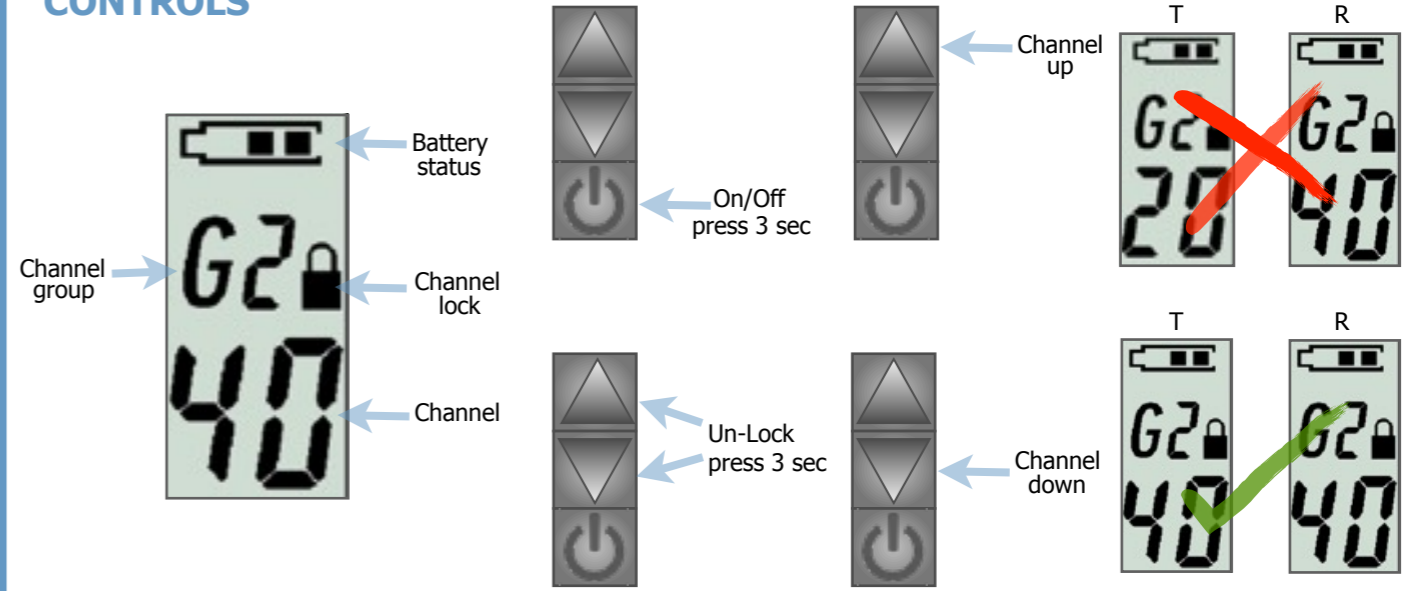
### TT 40-T TRANSMITTER



### TT 40-R RECEIVER



### CONTROLS



### TT-C25 CHARGER



# TOUR TALK TT 40 system-Quick Guide

For more information please refer to the system handbook.

This can be downloaded from:-

[www.tourtalksystem.com](http://www.tourtalksystem.com)